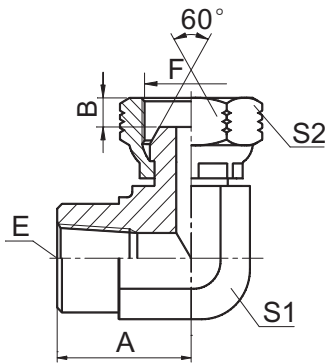


# 过渡接头 ADAPTER



## 7NU9-S

90° 弯布锥管内螺纹 / 美制 NPSM 内螺纹 60° 外锥  
 90° ELBOW NPT FEMALE / NPSM FEMALE 60° CONE

代号 PART NO.	螺纹 THREAD		尺寸 DIMENSIONS					
	E	F	A	B	S1	S2		
7NU9-02S	Z1/8"X27	1/8"X27	17.8	3.5	16	15		
7NU9-04-02S	Z1/4"X18	1/8"X27	22.5	3.5	19	15		
7NU9-04S	Z1/4"X18	1/4"X18	22.5	4.6	19	19		
7NU9-04-06S	Z1/4"X18	3/8"X18	22.5	6	19	22		
7NU9-06S	Z3/8"X18	3/8"X18	25	6	24	22		
7NU9-06-08S	Z3/8"X18	1/2"X14	25	7.5	24	27		
7NU9-08-06S	Z1/2"X14	3/8"X18	31.2	6	30	22		
7NU9-08S	Z1/2"X14	1/2"X14	31.2	7.5	30	27		
7NU9-08-12S	Z1/2"X14	3/4"X14	31.2	8.9	30	32		
7NU9-12-08S	Z3/4"X14	1/2"X14	34.5	7.5	33	27		
7NU9-12S	Z3/4"X14	3/4"X14	34.5	8.9	33	32		
7NU9-12-16S	Z3/4"X14	1"X11.5	34.5	10.5	33	41		
7NU9-16S	Z1"X11.5	1"X11.5	41	10.5	41	41		
7NU9-20S	Z1.1/4"X11.5	1.1/4"X11.5	43.2	11.2	50	50		
7NU9-24S	Z1.1/2"X11.5	1.1/2"X11.5	52.8	11.2	63	55		