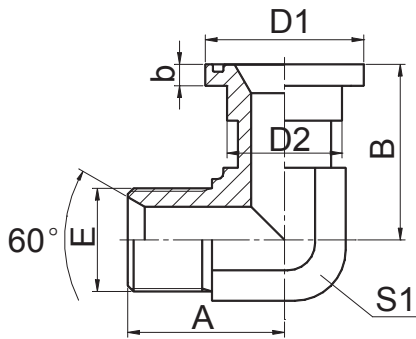


1BFL9

90° 英管外螺纹 60° 内锥 /SAE 法兰 3000PSI
 90° BSP MALE 60° CONE
 SEAT/SAE FLANGE 3000PSI

代号 PART NO.	螺纹 THREAD		法兰型号	O 形圈	尺寸 DIMENSIONS					
	E		FLANGE SIZE	O RING	A	B	b	D1	D2	S1
1BFL9-08	G1/2"X14		1/2"	O210	34.5	46	6.73	30.2	24	22
1BFL9-12	G3/4"X14		3/4"	O214	40	54.1	6.73	38.1	31.7	27
1BFL9-16	G1"X11		1"	O219	46	60.2	8	44.4	38	33
1BFL9-20	G1.1/4"X11		1.1/4"	O222	50.5	66.5	8	50.8	43	41
1BFL9-24	G1.1/2"X11		1.1/2"	O225	57.5	79.3	8	60.3	50	48

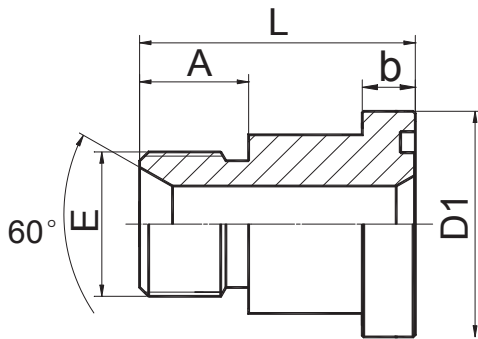
过渡接头 ADAPTER



1BFS9

90° 英管外螺纹 60° 内锥 /SAE 法兰 6000PSI
 90° BSP MALE 60° CONE
 SEAT/SAE FLANGE 6000PSI

代号 PART NO.	螺纹 THREAD		法兰型号	O 形圈	尺寸 DIMENSIONS					
	E		FLANGE SIZE	O RING	A	B	b	D1	D2	S1
1BFS9-08	G1/2"X14		1/2"	O210	34.5	39	7.75	31.7	24	22
1BFS9-12	G3/4"X14		3/4"	O214	40	54.1	8.76	41.3	32	27
1BFS9-16	G1"X11		1"	O219	46	60.2	9.53	47.6	38	33
1BFS9-20	G1.1/4"X11		1.1/4"	O222	50.5	66.5	10.29	54	44	41
1BFS9-24	G1.1/2"X11		1.1/2"	O225	57.5	79.3	12.57	63.5	51	48

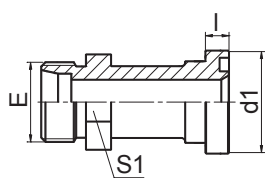


1BFS

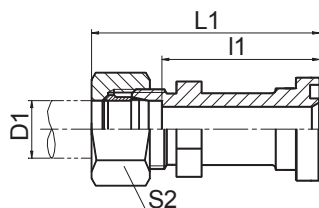
英管外螺纹 60° 内锥 /SAE 法兰 6000PSI
 BSP MALE 60° CONE
 SEAT/SAE FLANGE 6000PSI

代号 PART NO.	螺 纹 THREAD		法 兰 型 号	O 形 圈	尺 寸 DIMENSIONS				
	E		FLANGE SIZE	O RING	b	D1		L	
1BFS-08	G1/2"X14		1/2"	O210	7.75	31.7		43	
1BFS-12	G3/4"X14		3/4"	O214	8.76	41.3		53.5	
1BFS-16	G1"X11		1"	O219	9.53	47.6		60.5	
1BFS-20	G1.1/4"X11		1.1/4"	O222	10.29	54		65.5	
1BFS-24	G1.1/2"X11		1.1/2"	O225	12.57	63.5		72.5	

DIN 卡套式管接头



1CFL
1DFL



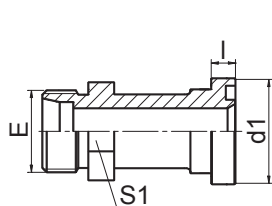
1CFL-RN
1DFL-RN

公制螺纹卡套式 / 轻
系列法兰 ISO 6162-1
METRIC MALE BITE TYPE /
L-SERIES FLANGE ISO 6162-1

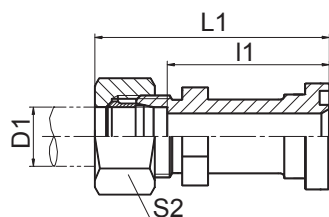
代号 PART NO.	螺纹 E THREAD	法兰型号 FLANGE SIZE	管子外径 D1 TUBE O.D.	O 形圈 O-RING	尺寸 DIMENSIONS						压力等级 MPa
					d1	l	l1	L1	S1	S2	
1CFL-22-08	M22X1.5	1/2"	15	O210	30.2	6.7	41	56	24	27	31.5 轻系列 L
1CFL-26-12	M26X1.5	3/4"	18	O214	38.1	6.73	45.5	62	30	32	
1CFL-30-12	M30X2	3/4"	22	O214	38.1	6.7	45.5	62	32	36	
1CFL-36-16	M36X2	1"	28	O219	44.4	8	46.5	63	38	41	16 轻系列 L
1CFL-45-20	M45X2	1.1/4"	35	O222	50.8	8	47.5	69	41	50	
1CFL-52-24	M52X2	1.1/2"	42	O225	60.3	8	53	76	46	60	
1DFL-24-08	M24X1.5	1/2"	16	O210	30.2	6.7	41.5	60	24	30	
1DFL-30-12	M30X2	3/4"	20	O214	38.1	6.7	46.5	68	30	36	35 重系列 S
1DFL-36-12	M36X2	3/4"	25	O214	38.1	6.73	45	69	30	46	
1DFL-42-16	M42X2	1"	30	O219	44.4	8	49.5	76	36	50	
1DFL-36-20	M36X2	1.1/4"	25	O222	50.8	8	48	72	41	46	28 重系列 S
1DFL-42-20	M42X2	1.1/4"	30	O222	50.8	8	48.5	75	41	50	
1DFL-52-20	M52X2	1.1/4"	38	O222	50.8	8	50	81	46	60	
1DFL-52-24	M52X2	1.1/2"	38	O225	60.3	8	54	85	46	60	21 重系列 S

注：如需带卡套及卡套螺母整套订货，则请在代号后加“RN”，如 1DFL-52-24RN。

Note: In case if you are interested to order the adapter in complete set with cutting ring and nut, it is necessary to insert suffix "RN" after our part NO., for example 1DFL-52-24RN.



1DFS



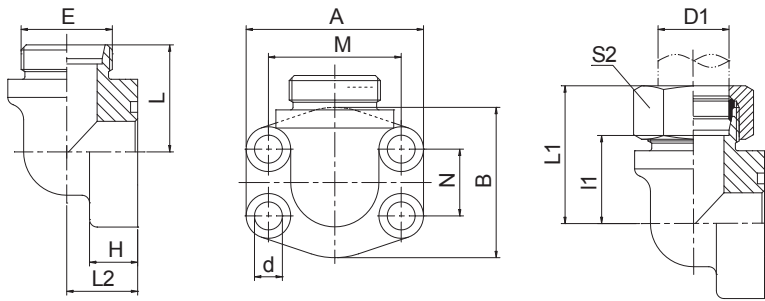
1DFS-RN

公制螺纹卡套式 / 重
系列法兰 ISO 6162-2
METRIC MALE BITE TYPE /
H-SERIES FLANGE ISO 6162-2

代号 PART NO.	螺纹 E THREAD	法兰型号 FLANGE SIZE	管子外径 D1 TUBE O.D.	O 形圈 O-RING	尺寸 DIMENSIONS						压力等级 MPa
					d1	l	l1	L1	S1	S2	
1DFS-24-08	M24X1.5	1/2"	16	O210	31.7	7.8	44.5	63	24	30	40 重系列 S
1DFS-24-12	M24X1.5	3/4"	16	O214	41.3	8.8	50.5	69	30	30	
1DFS-30-12	M30X2	3/4"	20	O214	41.3	8.8	50.5	72	30	36	
1DFS-36-12	M36X2	3/4"	25	O214	41.3	8.8	51	75	30	46	
1DFS-36-16	M36X2	1"	25	O219	47.6	9.5	60	81	36	46	
1DFS-42-16	M42X2	1"	30	O219	47.6	9.5	60.5	87	36	50	
1DFS-42-20	M42X2	1.1/4"	30	O222	54	10.3	65.5	92	41	50	
1DFS-52-20	M52X2	1.1/4"	38	O222	54	10.3	67	98	46	60	31.5 重系列 S
1DFS-52-24	M52X2	1.1/2"	38	O225	63.5	12.6	73	104	46	60	

注：如需带卡套及卡套螺母整套订货，则请在代号后加“RN”，如 1DFS-52-24RN。

Note: In case if you are interested to order the adapter in complete set with cutting ring and nut, it is necessary to insert suffix "RN" after our part NO., for example 1DFS-52-24RN.



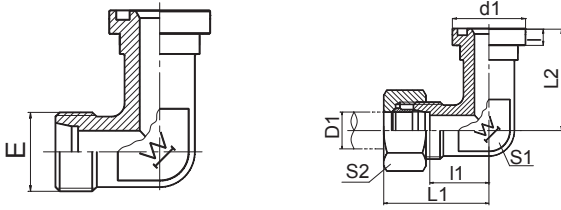
1CFL9-W 1DFS9-W

90° 卡套式 / SAE 法兰
90° BITE TYPE / SAE FLANGE

代号 PART NO.	螺纹 E THREAD	法兰型号 FLANGE SIZE	管子外径 D1 TUDE O.D D1	尺寸 DIMENSIONS												配用 螺栓	压力等级 MPa
				A	B	d	H	I1	L1	L2	L	M	N	S2			
3000PSI																	
1CFL9-22-08W	M22X1.5	1/2"	15	54	47	9	16	28	43	18	35	38.1	17.5	27	M8X30	31.5	
1CFL9-30-12W	M30X2	3/4"	22	66	50	11	18	30.5	46.5	22	38	47.6	22.2	36	M10X35		
1CFL9-36-16W	M36X2	1"	28	70	59	11	19	34.5	51	26	42	52.4	26.2	41	M10X35		
1CFL9-45-20W	M45X2	1.1/4"	35	80	70	11	22	37.5	59	32	48	58.7	30.2	50	M10X40	16	
1CFL9-52-24W	M52X2	1.1/2"	42	101	82	13.5	25	43	65.5	38	54	69.9	35.7	60	M12X45		
6000PSI																	
1DFS9-24-08W	M24X1.5	1/2"	16	57	48	9	16	28.5	46.5	17	37	40.5	18.2	30	M8X30	40	
1DFS9-30-12W	M30X2	3/4"	20	71	60	11	19	30.5	52	26	41	50.8	23.8	36	M10X35		
1DFS9-36-16W	M36X2	1"	25	81	70	13	24	36	60	32	48	57.2	27.8	46	M12X45		
1DFS9-42-20W	M42X2	1.1/4"	30	95	78	15	25	41.5	68	38	55	66.7	31.8	50	M14X45		
1DFS9-52-24W	M52X2	1.1/2"	38	113	95	17	26	45	75.5	40	61	79.4	36.6	60	M16X45		

材料为 35、45 锻件

DIN 卡套式管接头



**1CFL9
1DFL9**

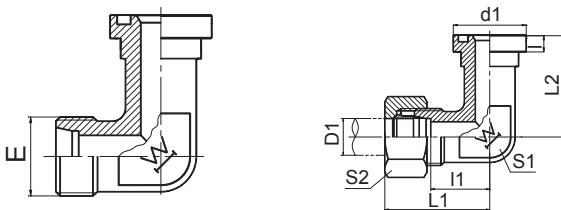
**1CFL9-RN
1DFL9-RN**

90° 弯 公制螺纹卡套式 /
轻系列法兰 ISO 6162-1
90° ELBOW METRIC MALE BITE TYPE /
L-SERIES FLANGE ISO 6162-1

代号 PART NO.	螺纹 E THREAD	法兰型号 FLANGE SIZE	管子外径 D1 TUBE O.D.	O 形圈 O-RING	尺寸 DIMENSIONS							压力等级 MPa
					d1	l	l1	L1	L2	S1	S2	
1CFL9-22-08	M22X1.5	1/2"	15	O210	30.2	6.7	29	44	36	24	27	31.5 轻系列 L
1CFL9-26-12	M26X1.5	3/4"	18	O214	38.1	6.7	31.5	48	42	30	32	
1CFL9-30-12	M30X2	3/4"	22	O214	38.1	6.7	33.5	50	42	30	36	
1CFL9-36-16	M36X2	1"	28	O219	44.4	8	36.5	53	45	36	41	
1CFL9-45-20	M45X2	1.1/4"	35	O222	50.8	8	46.5	68	50	41	50	16 轻系列 L
1CFL9-52-24	M52X2	1.1/2"	42	O225	60.3	8	47	70	55	50	60	
1DFL9-24-08	M24X1.5	1/2"	16	O210	30.2	6.7	29.5	48	36	24	30	35 重系列 S
1DFL9-30-12	M30X2	3/4"	20	O214	38.1	6.7	32.5	54	42	30	36	
1DFL9-36-12	M36X2	3/4"	25	O214	38.1	6.7	33	57	42	30	46	
1DFL9-42-16	M42X2	1"	30	O219	44.4	8	36.5	63	45	36	50	
1DFL9-36-20	M36X2	1.1/4"	25	O222	50.8	8	43	67	50	41	46	28 重系列 S
1DFL9-42-20	M42X2	1.1/4"	30	O222	50.8	8	43.5	70	50	41	50	
1DFL9-52-20	M52X2	1.1/4"	38	O222	50.8	8	43	74	50	41	60	
1DFL9-52-24	M52X2	1.1/2"	38	O225	60.3	8	48	79	55	50	60	

注：如需带卡套及卡套螺母整套订货，则请在代号后加“RN”，如 1DFL9-52-24RN。

Note: In case if you are interested to order the adapter in complete set with cutting ring and nut, it is necessary to insert suffix "RN" after our part NO., for example 1DFL9-52-24RN.



1DFS9

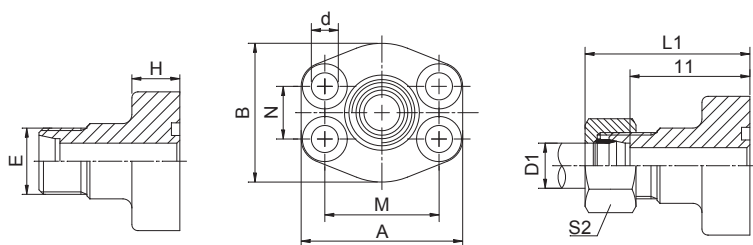
1DFS9-RN

90° 弯公制螺纹卡套式 /
重系列法兰 ISO 6162-2
90° ELBOW METRIC MALE BITE TYPE /
H-SERIES FLANGE ISO 6162-2

代号 PART NO.	螺纹 E THREAD	法兰型号 FLANGE SIZE	管子外径 D1 TUBE O.D.	O 形圈 O-RING	尺寸 DIMENSIONS							压力等级 MPa
					d1	l	l1	L1	L2	S1	S2	
1DFS9-24-08	M24X1.5	1/2"	16	O210	31.7	7.8	29.5	48	39	24	30	40 重系列 S
1DFS9-24-12	M24X1.5	3/4"	16	O214	41.3	8.8	36.5	55	48	32	30	
1DFS9-30-12	M30X2	3/4"	20	O214	41.3	8.8	35.5	57	48	32	36	
1DFS9-36-12	M36X2	3/4"	25	O214	41.3	8.8	36	60	48	32	46	
1DFS9-36-16	M36X2	1"	25	O219	47.6	9.5	41	65	60	41	46	
1DFS9-42-16	M42X2	1"	30	O219	47.6	9.5	41.5	68	60	41	50	
1DFS9-42-20	M42X2	1.1/4"	30	O222	54	10.3	44.5	71	68	46	50	
1DFS9-52-20	M52X2	1.1/4"	38	O222	54	10.3	45	76	68	46	60	
1DFS9-52-24	M52X2	1.1/2"	38	O225	63.5	12.6	56	87	76	50	60	31.5 重系列 S

注：如需带卡套及卡套螺母整套订货，则请在代号后加“RN”，如 1DFS9-52-24RN。

Note: In case if you are interested to order the adapter in complete set with cutting ring and nut, it is necessary to insert suffix "RN" after our part NO., for example 1DFS9-52-24RN.



1CFL-W
1DFL-W
1DFS-W

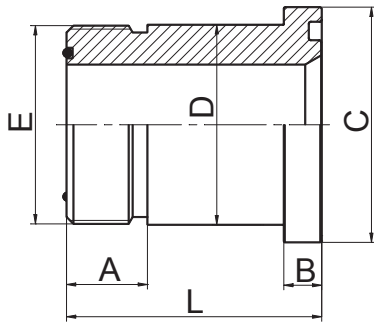
1CFL-W/RN
1DFL-W/RN
1DFS-W/RN

卡套式 /SAE 整体法兰
BITE TYPE/SAE FLANGE

代号 PART NO.	螺纹 E THREAD	法兰型号 FLANGE SIZE	管子外径 D1 TUDE O.D D1	尺寸 DIMENSIONS									配用 螺栓	压力等级 MPa
				A	B	d	H	l1	L1	M	N	S2		
3000PSI														
1CFL-22-08W	M22X1.5	1/2"	15	54	46	9	16	40	55	38.1	17.5	27	M8X30	16
1CFL-30-12W	M30X2	3/4"	22	65	50	11	18	45	61	47.6	22.3	36	M10X35	
1CFL-36-16W	M36X2	1"	28	70	55	11	18	53	69	52.4	26.2	41	M10X40	
1CFL-45-20W	M45X2	1.1/4"	35	79	68	11	21	50	71	58.7	30.2	50	M10X40	
1CFL-52-24W	M52X2	1.1/2"	42	94	78	13.5	25	59	82	69.9	35.7	60	M12X45	
1DFL-24-08W	M24x1.5	1/2"	16	54	46	9	16	39	57	38.1	17.5	30	M8X30	35
1DFL-30-12W	M30X2	3/4"	20	65	50	11	18	42	63	47.6	22.2	36	M10X35	
1DFL-36-16W	M36X2	1"	25	70	55	11	18	48	72	52.4	26.2	46	M10X40	
1DFL-42-20W	M42X2	1.1/4"	30	79	68	11	21	50	76	58.7	30.2	50	M10X40	
1DFL-52-24W	M52X2	1.1/2"	38	94	78	13.5	25	54	85	69.9	35.7	60	M12X45	21
6000PSI														
1DFS-24-08W	M24x1.5	1/2"	16	56	48	9	16	39	57	40.5	18.2	30	M8X30	40
1DFS-30-12W	M30X2	3/4"	20	71	60	11	19	42	63	50.8	23.8	36	M10X35	
1DFS-36-16W	M36X2	1"	25	81	70	13	24	48	72	57.2	27.8	46	M12X45	
1DFS-42-20W	M42X2	1.1/4"	30	95	78	15	27	55	81	66.6	31.8	50	M14X50	
1DFS-52-24W	M52X2	1.1/2"	38	113	95	17	30	56	87	79.3	36.5	60	M16X50	31.5

注：如需带卡套及卡套螺母整套订货，则请在代号后加“RN”，如 1DFS-52-24W/RN。

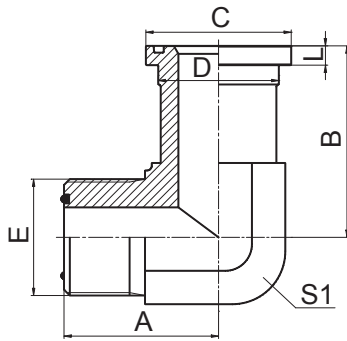
Note: In case if you are interested to order the adapter in complete set with cutting ring and nut, it is necessary to insert suffix "RN" after our part no., for example 1DFS-52-24W/RN.



1FFL

美制 ORFS 外螺纹 O 形圈平面
密封 / 轻系列法兰 ISO 6162-1
ORFS MALE O-RING / L-SERIES
FLANGE ISO 6162-1

代号 PART NO.	螺纹 THREAD		法兰型号 FLANGE SIZE	O 形圈 O-RING		尺寸 DIMENSIONS					
	E			E 端	法兰端 FLANGE	A	B	C	D	L	
1FFL-12	1.3/16X12		3/4"	O018	O214	17	6.73	38.1	31.7	45.7	
1FFL-16	1.7/16"X12		1"	O021	O219	17.5	8	44.4	38	47.8	
1FFL-20	1.11/16"X12		1.1/4"	O025	O222	17.5	8	50.8	43	47	
1FFL-24	2"X12		1.1/2"	O029	O225	17.5	8	60.3	50	49.5	

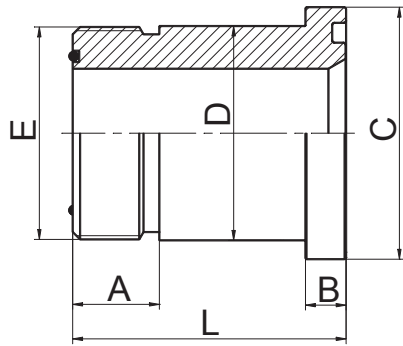


1FFL9

90° 弯 美制 ORFS 外螺纹 O 形圈
 平面密封 / 轻系列法兰 ISO 6162-1
 90° ELBOW ORFS MALE
 O-RING / L-SERIES FLANGE ISO 6162-1

代号 PART NO.	螺纹 THREAD		法兰型号	O 形圈 O-RING		尺寸 DIMENSIONS					
	E		FLANGE SIZE	E 端	法兰端 FLANGE	A	B	C	D	L	S1
1FFL9-12	1.3/16X12		3/4"	O018	O214	41	54.1	38.1	31.7	6.73	30
1FFL9-16	1.7/16"X12		1"	O021	O219	44.5	60.2	44.4	38	8	36
1FFL9-20	1.11/16"X12		1.1/4"	O025	O222	47.5	66.5	50.8	43	8	41
1FFL9-24	2"X12		1.1/2"	O029	O225	52	79.5	60.3	50	8	48

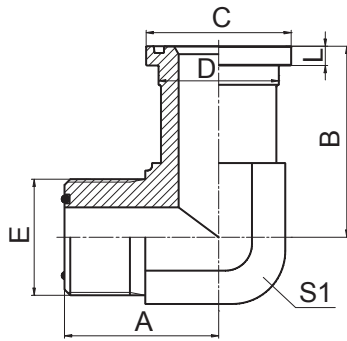
过渡接头 ADAPTER



1FFS

美制 ORFS 外螺纹 O 形圈平面
密封 / 重系列法兰 ISO 6162-2
ORFS MALE O-RING / S-SERIES
FLANGE ISO 6162-2

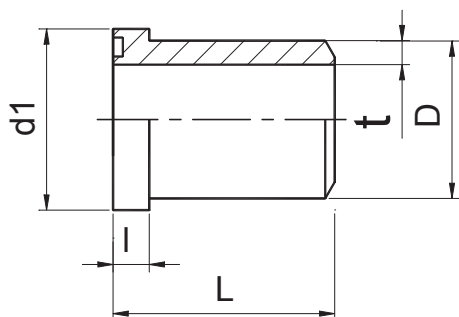
代号 PART NO.	螺纹 THREAD		法兰型号	O 形圈 O-RING		尺寸 DIMENSIONS					
	E		FLANGE SIZE	E 端	法兰端 FLANGE	A	B	C	D	L	
1FFS-12	1.3/16X12		3/4"	O018	O214	17	8.76	41.3	32	51.8	
1FFS-16	1.7/16"X12		1"	O021	O219	17.5	9.53	47.6	38	57.2	
1FFS-20	1.11/16"X12		1.1/4"	O025	O222	17.5	10.29	54	44	62	
1FFS-24	2"X12		1.1/2"	O029	O225	17.5	12.57	63.5	51	66.8	



1FFS9

90° 弯 美制 ORFS 外螺纹 O 形圈
 平面密封 / 重系列法兰 ISO 6162-2
 90° ELBOW ORFS MALE O-RING/
 S-SERIES FLANGE ISO 6162-2

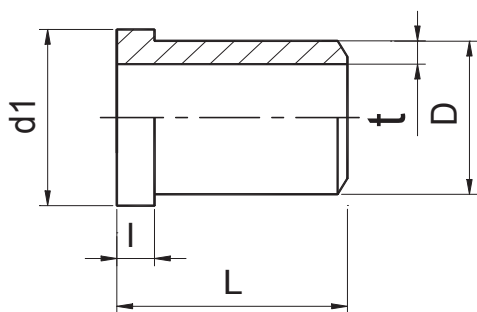
代号 PART NO.	螺纹 THREAD		法兰型号	O 形圈 O-RING		尺寸 DIMENSIONS					
	E		FLANGE SIZE	E 端	法兰端 FLANGE	A	B	C	D	L	S1
1FFS9-12	1.3/16X12		3/4"	O018	O214	40.3	54.1	41.3	32	8.76	30
1FFS9-16	1.7/16"X12		1"	O021	O219	44.5	60.2	47.6	38	9.53	36
1FFS9-20	1.11/16"X12		1.1/4"	O025	O222	47.5	66.5	54	44	10.29	41
1FFS9-24	2"X12		1.1/2"	O029	O225	52	79.3	63.5	51	12.57	48



**1FLW
1FSW**

SAE 法兰 / 焊接管
SAE FLANGE/WELD TUBE

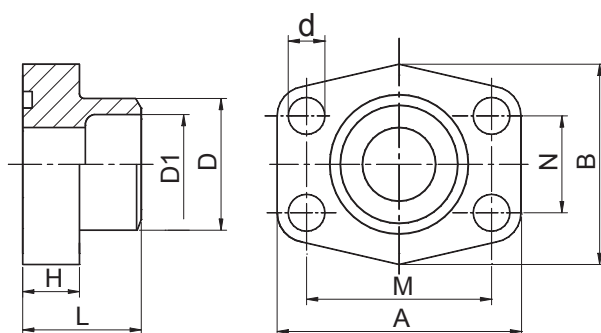
代号 PART NO.	法兰型号 FLANGE SIZE	DXt	尺寸 DIMENSION				压力等级 MPa
			d1	D	l	L	
3000PSI							
1FLW-08-16X2	1/2"	16X2	30.2	16	6.8	41	34.5
1FLW-08-20X2.5	1/2"	20X2.5		20			
1FLW-12-25X3	3/4"	25X3	38.1	25	6.8	50	
1FLW-16-25X3	1"	25X3		44.4			
1FLW-16-28X3	1"	28X3	28				
1FLW-16-30X4	1"	30X4	30				
1FLW-16-38X5	1"	38X5	38				
1FLW-20-25X3	1.1/4"	25X3	50.8	25	8	55	27.6
1FLW-20-30X4	1.1/4"	30X4		30			
1FLW-20-38X5	1.1/4"	38X5		38			
1FLW-20-42X6	1.1/4"	42X6		42			
1FLW-24-38X4	1.1/2"	38X4	60.3	38	8	57	20.7
1FLW-24-42X5	1.1/2"	42X5		42			
1FLW-24-45X5	1.1/2"	45X5		45			
1FLW-24-50X6	1.1/2"	50X6		50			
1FLW-32-55X5	2"	55X5	71.4	55	9.6	57	
1FLW-32-60X8	2"	60X8		60			
1FLW-40-65X6	2.1/2"	65X6	84.1	65	9.6	58	17.2
1FLW-40-70X7.5	2.1/2"	70X7.5		70			
1FLW-48-80X6	3"	80X6	101.6	80	9.6	58	13.8
1FLW-48-90X8	3"	90X8		90			
6000PSI							
1FSW-08-16X2	1/2"	16X2	31.7	16	7.8	34	40
1FSW-08-20X2.5	1/2"	20X2.5		20			
1FSW-12-16X2	3/4"	16X2	41.3	16	8.8	38	
1FSW-12-20X2.5	3/4"	20X2.5		20			
1FSW-12-25X4	3/4"	25X4	47.6	25	9.5	40	
1FSW-16-25X3	1"	25X3		25			
1FSW-16-30X4	1"	30X4		30			
1FSW-16-38X5	1"	38X5		38			
1FSW-20-25X3	1.1/4"	25X3	54	25	10.3	45	
1FSW-20-30X4	1.1/4"	30X4		30			
1FSW-20-38X5	1.1/4"	38X5		38			
1FSW-20-42X6	1.1/4"	42X6		42			
1FSW-24-38X5	1.1/2"	38X5	63.5	38	12.6	50	
1FSW-24-45X6.5	1.1/2"	45X6.5		45			
1FSW-24-48X8	1.1/2"	48X8		48			
1FSW-24-50X8	1.1/2"	50X8		50			
1FSW-32-60X8	2"	60X8	79.4	60	12.6	58	
1FSW-32-60X10	2"	60X10		60			



1FLW-PM 1FSW-PM

SAE 法兰 / 焊接管
SAE FLANGE/WELD TUBE

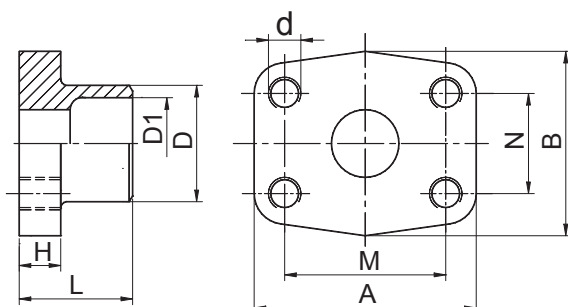
代号 PART NO.	法兰型号 FLANGE SIZE	Dxt	尺寸 DIMENSION				压力等级 MPa	
			d1	D	I	L		
3000PSI								
1FLW-08-16X2PM	1/2"	16X2	30.2	16	6.8	41	34.5	
1FLW-08-20X2.5PM	1/2"	20X2.5		20				
1FLW-12-25X3PM	3/4"	25X3	38.1	25	6.8	50		
1FLW-16-25X3PM	1"	25X3	44.4	25				
1FLW-16-28X3PM	1"	28X3		28	8	50		
1FLW-16-30X4PM	1"	30X4		30				
1FLW-16-38X5PM	1"	38X5		38				
1FLW-20-25X3PM	1.1/4"	25X3	50.8	25	8	55		27.6
1FLW-20-30X4PM	1.1/4"	30X4		30				
1FLW-20-38X5PM	1.1/4"	38X5		38				
1FLW-20-42X6PM	1.1/4"	42X6	42					
1FLW-24-38X4PM	1.1/2"	38X4	60.3	38	8	57	20.7	
1FLW-24-42X5PM	1.1/2"	42X5		42				
1FLW-24-45X5PM	1.1/2"	45X5		45				
1FLW-24-50X6PM	1.1/2"	50X6		50				
1FLW-32-55X5PM	2"	55X5	71.4	55	9.6	57		
1FLW-32-60X8PM	2"	60X8		60				
1FLW-40-65X6PM	2.1/2"	65X6	84.1	65	9.6	58	17.2	
1FLW-40-70X7.5PM	2.1/2"	70X7.5		70				
1FLW-48-80X6PM	3"	80X6	101.6	80	9.6	58	13.8	
1FLW-48-90X8PM	3"	90X8		90				
6000PSI								
1FSW-08-16X2PM	1/2"	16X2	31.7	16	7.8	34	40	
1FSW-08-20X2.5PM	1/2"	20X2.5		20				
1FSW-12-16X2PM	3/4"	16X2	41.3	16	8.8	38		
1FSW-12-20X2.5PM	3/4"	20X2.5		20				
1FSW-12-25X4PM	3/4"	25X4	47.6	25	9.5	40		
1FSW-16-25X3PM	1"	25X3		25				
1FSW-16-30X4PM	1"	30X4		30				
1FSW-16-38X5PM	1"	38X5		38				
1FSW-20-25X3PM	1.1/4"	25X3	54	25	10.3	45		
1FSW-20-30X4PM	1.1/4"	30X4		30				
1FSW-20-38X5PM	1.1/4"	38X5		38				
1FSW-20-42X6PM	1.1/4"	42X6		42				
1FSW-24-38X5PM	1.1/2"	38X5	63.5	38	12.6	50		
1FSW-24-45X6.5PM	1.1/2"	45X6.5		45				
1FSW-24-48X8PM	1.1/2"	48X8		48				
1FSW-24-50X8PM	1.1/2"	50X8		50				
1FSW-32-60X8PM	2"	60X8	79.4	60	12.6	58		
1FSW-32-60X10PM	2"	60X10		60				



1FLW-W 1FSW-W

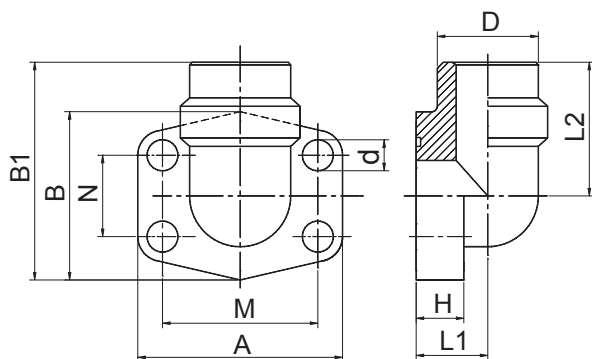
SAE 法兰 / 焊接管
SAE FLANGE/WELD TUDE

代号 PART NO.	法兰型号 FLANGE SIZE	尺寸 DIMENSION									配用 无缝钢管	配用 螺栓	压力等级 MPa
		A	B	d	D	D1	H	L	M	N			
3000PSI													
1FLW-08-20W	1/2"	54	46	9	20	14	16	35	38.1	17.5	20x3	M8X30	34.5
1FLW-08-22W	1/2"	54	46	9	22	16	16	35	38.1	17.5	22x3	M8X30	
1FLW-12-25W	3/4"	65	50	11	25	19	18	36	47.6	22.2	25x3	M10X35	
1FLW-12-28W	3/4"	65	50	11	28	21	18	36	47.6	22.2	28x3	M10X35	
1FLW-16-30W	1"	70	55	11	30	22	18	38	52.4	26.2	30x4	M10X35	
1FLW-16-35W	1"	70	55	11	35	27	18	38	52.4	26.2	35x3	M10X35	
1FLW-20-38W	1.1/4"	79	68	11	38	30	21	41	58.7	30.2	38x4	M10X40	27.6
1FLW-20-42W	1.1/4"	79	68	11	43	36	21	41	58.7	30.2	42x3	M10X40	
1FLW-24-38W	1.1/2"	93	78	13.5	38	30	24.5	44.5	69.9	35.7	38x4	M12X45	20.7
1FLW-24-42W	1.1/2"	93	78	13.5	42	36	24.5	44.5	69.9	35.7	42x3	M12X45	
1FLW-24-48W	1.1/2"	93	78	13.5	49	38	24.5	44.5	69.9	35.7	48.3x5.5	M12X45	
1FLW-32-60W	2"	102	90	13.5	61	49	25	45	77.8	42.9	60.3x5.6	M12X45	
1FLW-40-76W	2.1/2"	114	105	13.5	77	62	25	50	88.9	50.8	76.1x7.1	M12X45	17.6
1FLW-48-76W	3"	134	124	17.5	77	62	26	51	106.4	61.9	76.1x7.1	M16X50	
6000PSI													
1FSW-08-20W	1/2"	54	46	9	20	14	16	34	40.5	18.2	20x3	M8X30	41.4
1FSW-12-20W	3/4"	71	55	11	20	14	21	35	50.8	23.8	20X3	M10X35	
1FSW-12-25W	3/4"	71	55	11	25	17	21	35	50.8	23.8	25X4	M10X35	
1FSW-16-25W	1"	81	65	13	25	17	25	42	57.2	27.8	25X4	M12X45	
1FSW-16-30W	1"	81	65	13	30	22	25	42	57.2	27.8	30X4	M12X45	
1FSW-20-30W	1.1/4"	95	78	15	30	22	25	44	66.6	31.8	30X4	M14X45	
1FSW-20-38W	1.1/4"	95	78	15	38	26	25	44	66.6	31.8	38X6	M14X45	
1FSW-24-38W	1.1/2"	112	94	17	38	26	28	56	79.3	36.5	38X6	M16X50	
1FSW-24-48W	1.1/2"	112	94	17	49	32	28	56	79.3	36.5	48.3X8	M16X50	
1FSW-24-60W	1.1/2"	112	94	17	61	40	28	56	79.3	36.5	60.3X10	M16X50	
1FSW-32-60W	2"	134	114	22	61	40	33	65	96.8	44.5	60.3X10	M20X60	
1FSW-32-76W	2"	134	122	22	76	50	33	80	96.8	44.5	76.1X12.5	M20X60	


**1FLW-WM
1FSW-WM**

 SAE 法兰 / 焊接管
 SAE FLANGE/WELD TUDE

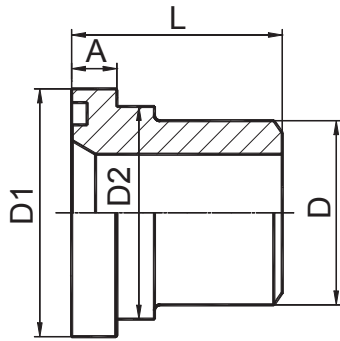
代号 PART NO.	法兰型号 FLANGE SIZE	尺寸 DIMENSION									压力等级 Mpa	
		A	B	d	D	D1	H	L	M	N		
3000PSI												
1FLW-08-20WM	1/2"	54	46	M8	20	14	16	35	38.1	17.5	20X3	34.5
1FLW-08-22WM	1/2"	54	46	M8	22	16	16	35	38.1	17.5	22X3	
1FLW-12-25WM	3/4"	65	50	M10	25	19	18	36	47.6	22.2	25X3	
1FLW-12-28WM	3/4"	65	50	M10	28	21	18	36	47.6	22.2	28X3	
1FLW-16-30WM	1"	70	55	M10	30	22	18	38	52.4	26.2	30X4	
1FLW-16-35WM	1"	70	55	M10	35	27	18	38	52.4	26.2	35X3	
1FLW-20-38WM	1.1/4"	79	68	M10	38	30	21	41	58.7	30.2	38X4	27.6
1FLW-20-42WM	1.1/4"	79	68	M10	42	36	21	41	58.7	30.2	42X3	
1FLW-24-38WM	1.1/2"	93	78	M12	38	30	24.5	44.5	69.9	35.7	38X4	20.7
1FLW-24-42WM	1.1/2"	93	78	M12	42	36	24.5	44.5	69.9	35.7	42X3	
1FLW-24-48WM	1.1/2"	93	78	M12	49	38	24.5	44.5	69.9	35.7	48.3X4.5	
1FLW-32-60WM	2"	102	90	M12	61	49	25	45	77.8	42.9	60.3X5.6	
1FLW-40-76WM	2.1/2"	114	105	M12	77	62	25	50	88.9	50.8	76.1X7.1	17.6
1FLW-48-76WM	3"	134	125	M16	77	62	26	51	106.4	61.9	76.1X7.1	13.8
6000PSI												
1FSW-08-20WM	1/2"	54	46	M8	20	14	16	34	40.5	18.2	20X3	41.4
1FSW-12-20WM	3/4"	71	55	M10	20	14	21	35	50.8	23.8	20X3	
1FSW-12-25WM	3/4"	71	55	M10	25	17	21	35	50.8	23.8	25X4	
1FSW-16-25WM	1"	81	65	M12	25	17	25	42	57.2	27.8	25X4	
1FSW-16-30WM	1"	81	65	M12	30	22	25	42	57.2	27.8	30X4	
1FSW-20-30WM	1.1/4"	95	78	M14	30	22	25	44	66.6	31.8	30X4	
1FSW-20-38WM	1.1/4"	95	78	M14	38	26	25	44	66.6	31.8	38X6	
1FSW-24-38WM	1.1/2"	112	94	M16	38	26	28	56	79.3	36.5	38X6	
1FSW-24-48WM	1.1/2"	112	94	M16	49	32	28	56	79.3	36.5	48.3X8	
1FSW-24-60WM	1.1/2"	112	94	M16	61	40	28	56	79.3	36.5	60.3X10	
1FSW-32-60WM	2"	134	114	M20	77	40	33	65	96.8	44.5	60.3X10	
1FSW-32-76WM	2"	134	122	M20	77	50	33	80	96.8	44.5	76.1X12.5	



1FLW9-W 1FSW9-W

90° SAE 法兰 / 焊接管
90° SAE FLANGE/WELD TUDE

代号 PART NO.	法兰型号 FLANGE SIZE	尺寸 DIMENSIONS										配用 螺栓	压力等级 MPa
		A	B	B1	d	D	H	L1	L2	M	N		
3000PSI													
1FLW9-08-20W	1/2"	54	46	60	9	20	16	20	37	38.1	17.5	M8X30	25
1FLW9-08-22W	1/2"	54	46	60	9	22	16	20	37	38.1	17.5	M8X30	16
1FLW9-08-25W	1/2"	54	46	60	9	25	16	20	37	38.1	17.5	M8X30	25
1FLW9-08-28W	1/2"	54	46	60	9	28	16	20	37	38.1	17.5	M8X30	16
1FLW9-12-25W	3/4"	65	50	63	11	25	18	24	38	47.6	22.2	M10X35	25
1FLW9-12-28W	3/4"	65	50	63	11	28	18	24	38	47.6	22.2	M10X35	16
1FLW9-12-30W	3/4"	65	50	63	11	30	18	24	38	47.6	22.2	M10X35	25
1FLW9-12-35W	3/4"	65	50	63	11	35	18	24	38	47.6	22.2	M10X35	16
1FLW9-16-30W	1"	70	55	70	11	30	19	28	43	52.4	26.2	M10X35	25
1FLW9-16-35W	1"	70	55	70	11	35	19	28	43	52.4	26.2	M10X35	16
1FLW9-16-38W	1"	70	55	70	11	38	19	28	43	52.4	26.2	M10X35	25
1FLW9-16-42W	1"	70	55	70	11	42	19	28	43	52.4	26.2	M10X35	16
1FLW9-20-38W	1.1/4"	79	68	85	11	38	21	34	51	58.7	30.2	M10X40	25
1FLW9-20-42W	1.1/4"	79	68	85	11	42	21	34	51	58.7	30.2	M10X40	16
1FLW9-20-49W	1.1/4"	79	68	85	11	49	21	34	51	58.7	30.2	M10X40	16
1FLW9-24-38W	1.1/2"	93	78	95	13.5	38	25	38	55	69.9	35.7	M12X45	21
1FLW9-24-42W	1.1/2"	93	78	95	13.5	42	25	38	55	69.9	35.7	M12X45	16
1FLW9-24-49W	1.1/2"	93	78	95	13.5	49	25	38	55	69.9	35.7	M12X45	
1FLW9-32-61W	2"	102	90	110	13.5	61	25	42	65	77.8	42.9	M12X45	
1FLW9-32-77W	2"	102	90	110	13.5	77	25	42	65	77.8	42.9	M12X45	
6000PSI													
1FSW9-08-20W	1/2"	54	46	60	9	20	16	20	37	40.5	18.2	M8X30	31.5
1FSW9-08-25W	1/2"	71	46	60	9	25	16	20	37	40.5	18.2	M8X30	
1FSW9-12-25W	3/4"	71.3	55	70	11	25	19	28	43	50.8	23.8	M10X35	
1FSW9-12-30W	3/4"	71.3	55	70	11	30	19	28	43	50.8	23.8	M10X35	
1FSW9-16-30W	1"	81	65	85	13	30	21	34	51	57.2	27.8	M12X45	
1FSW9-16-38W	1"	81	65	85	13	38	21	34	51	57.2	27.8	M12X45	
1FSW9-20-38W	1.1/4"	95.2	78	95	15	38	25	38	56	66.6	31.8	M14X45	
1FSW9-20-49W	1.1/4"	95.2	78	95	15	49	25	38	56	66.6	31.8	M14X45	
1FSW9-24-38W	1.1/2"	112	94	110	17	38	25	42	65	79.3	36.5	M16X50	
1FSW9-24-49W	1.1/2"	112	94	110	17	49	25	42	65	79.3	36.5	M16X50	
1FSW9-24-61W	1.1/2"	112	94	110	17	61	25	42	65	79.3	36.5	M16X50	
1FSW9-32-61W	2"	134	114	150	22	61	29	45	92	96.8	44.5	M20X60	
1FSW9-32-74W	2"	134	114	150	22	74	29	60	92	96.8	44.5	M20X60	

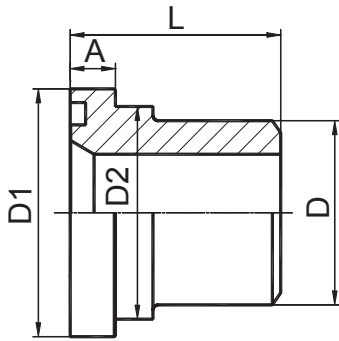


1FLW-IN

SAE 法兰 3000PSI / 英寸制焊接管
SAE FLANGE 3000PSI/INCH WELD TUBE

代号 PART NO.	法兰型号	焊接管外径 D	O 形圈	尺寸 DIMENSIONS				
	FLANGE SIZE	WELD TUBE O.D D	O RING	A	D1	D2	L	
1FLW-08IN	1/2"	1/2"	O210	7	30.2	24	26	
1FLW-12-08IN	3/4"	1/2"	O214	7	38.1	32	28	
1FLW-12IN	3/4"	3/4"	O214	7	38.1	32	30	
1FLW-16-12IN	1"	3/4"	O219	8.2	44.4	38	30	
1FLW-16IN	1"	1"	O219	8.2	44.4	38	32	
1FLW-20-16IN	1.1/4"	1"	O222	8.2	50.8	43	32	
1FLW-20IN	1.1/4"	1.1/4"	O222	8.2	50.8	43	35	
1FLW-24-16IN	1.1/2"	1"	O225	8.2	60.3	50	37	
1FLW-24-20IN	1.1/2"	1.1/4"	O225	8.2	60.3	50	37	
1FLW-24IN	1.1/2"	1.1/2"	O225	8.2	60.3	50	40	
1FLW-32-20IN	2"	1.1/4"	O228	9.8	71.4	62	37	
1FLW-32-24IN	2"	1.1/2"	O228	9.8	71.4	62	40	
1FLW-32IN	2"	2"	O228	9.8	71.4	62	40	

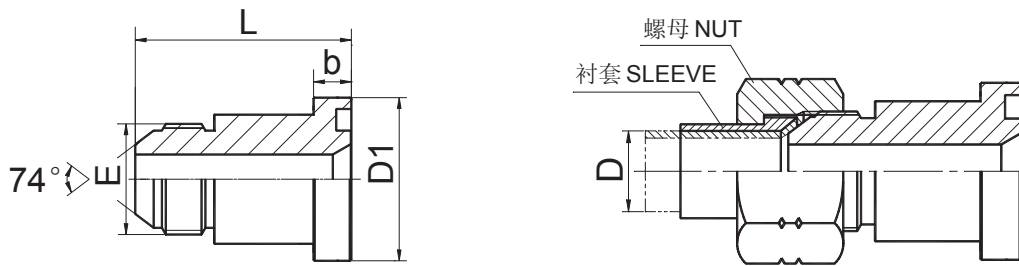
过渡接头 ADAPTER



1FSW-IN

SAE 法兰 6000 PSI/ 英寸制焊接管
SAE FLANGE 6000 PSI/INCH WELD TUBE

代号 PART NO.	法兰型号	焊接管外径 D	O 形圈	尺寸 DIMENSIONS				
	FLANGE SIZE	WELD TUBE O.D D	O RING	A	D1	D2	L	
1FSW-12IN	3/4"	3/4"	O214	8.9	41.3	32	33	
1FSW-16IN	1"	1"	O219	9.6	47.6	38	37	
1FSW-20IN	1.1/4"	1.1/4"	O222	10.4	54	44	42	
1FSW-20-16IN	1.1/4"	1"	O222	10.4	54	44	43	
1FSW-24IN	1.1/2"	1.1/2"	O225	12.7	63.5	51	45	
1FSW-32IN	2"	2"	O228	12.7	79.4	67	45	



1JFL

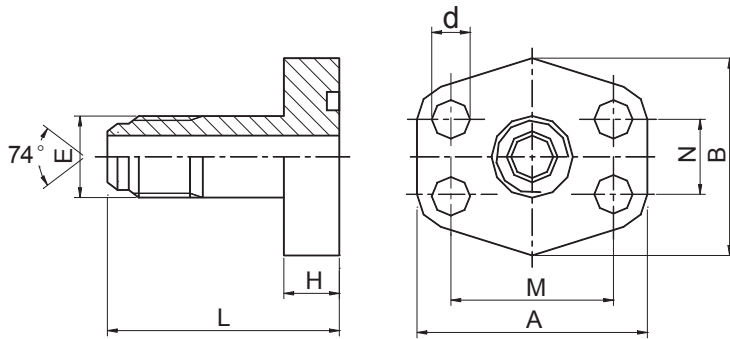
美制 JIC 外螺纹 74° 外锥 / 轻系列法兰 ISO 6162-1
 JIC MALE 74° CONE / L-SERIES FLANGE ISO 6162-1

代号 PART NO.	螺纹 THREAD		法兰型号	O 形圈 O RING	尺寸 DIMENSIONS				
	E		FLANGE SIZE		b	D1	L		
1JFL-08	3/4"X16		1/2"	O210	6.73	30.2	43.5		
1JFL-08-12	3/4"X16		3/4"	O214	6.73	38.1	45.4		
1JFL-10-08	7/8"X14		1/2"	O210	6.73	30.2	48		
1JFL-10-12	7/8"X14		3/4"	O214	6.73	38.1	48		
1JFL-12-08	1.1/16X12		1/2"	O210	6.73	30.2	49		
1JFL-12	1.1/16X12		3/4"	O214	6.73	38.1	50.5		
1JFL-12-16	1.1/16X12		1"	O219	8	44.4	52.2		
1JFL-16-12	1.5/16"X12		3/4"	O214	6.73	38.1	52		
1JFL-16	1.5/16"X12		1"	O219	8	44.4	53.4		
1JFL-16-20	1.5/16"X12		1.1/4"	O222	8	50.8	52.2		
1JFL-20-16	1.5/8"X12		1"	O219	8	44.4	54.5		
1JFL-20	1.5/8"X12		1.1/4"	O222	8	50.8	53.1		
1JFL-20-24	1.5/8"X12		1.1/2"	O225	8	60.3	56		
1JFL-24-20	1.7/8"X12		1.1/4"	O222	8	50.8	56.5		
1JFL-24	1.7/8"X12		1.1/2"	O225	8	60.3	59.2		
1JFL-24-32	1.7/8"X12		2"	O228	9.53	71.4	60		
1JFL-32	2.1/2"X12		2"	O228	9.53	71.4	66.3		

注：螺母及衬套需另行订货。管子直径 D 为公制时，配用螺母及衬套分别选用 NB200、NB500。

管子直径为英制时，配用螺母及衬套分别选用 NB200、NB300。

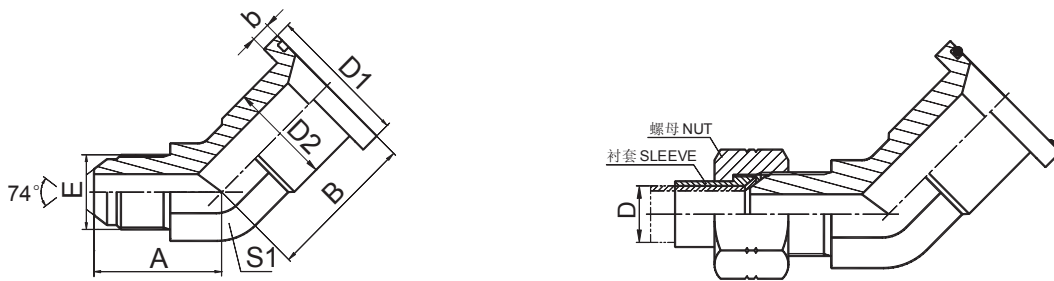
Note: Nut and sleeve should be ordered separately. The nut NB200 and sleeve NB500 is suitable for metric tube, the nut NB200 and sleeve NB300 is suitable for inch tube.



1JFL-W
1JFS-W

美制 JIC 74° 外锥 / SAE 整体法兰
JIC MALE 74° CONE / SAE FLANGE

代号 PART NO.	螺纹 E THREAD E	法兰型号 FLANGE SIZE	尺寸 DIMENSIONS							配用 螺栓	压力等级 MPa
			A	B	d	H	L	M	N		
3000PSI											
1JFL-08-08W	3/4"X16	1/2"	54	46	9	13	52	38.1	17.5	M8X30	34.5
1JFL-10-08W	7/8"X14	1/2"	54	46	9	13	52	38.1	17.5	M8X30	
1JFL-12-12W	1.1/16"X12	3/4"	65	50	11	14	60	47.6	22.2	M10X30	
1JFL-16-16W	1.5/16"X12	1"	70	55	11	16	63	52.4	26.2	M10X30	
1JFL-20-20W	1.5/8"X12	1.1/4"	79	68	11	16	65	58.7	30.2	M10X30	27.6
1JFL-16-20W	1.5/16"X12	1.1/4"	79	68	11	16	65	58.7	30.2	M10X30	
1JFL-24-24W	1.7/8"X12	1.1/2"	94	78	13.5	16	70	69.9	35.7	M12X35	20.7
6000PSI											
1JFS-08-08W	3/4"X16	1/2"	56	48	9	16	60	40.5	18.2	M8X30	41.4
1JFS-10-08W	7/8"X14	1/2"	56	48	9	16	60	40.5	18.2	M8X30	
1JFS-12-12W	1.1/16"X12	3/4"	71	60	11	19	73	50.8	23.8	M10X35	
1JFS-16-16W	1.5/16"X12	1"	81	70	13	24	82	57.2	27.8	M12X45	
1JFS-20-20W	1.5/8"X12	1.1/4"	95	78	15	27	92	66.6	31.8	M14X50	
1JFS-16-20W	1.5/16"X12	1.1/4"	95	78	15	27	92	66.6	31.8	M14X50	
1JFS-24-24W	1.7/8"X12	1.1/2"	113	95	17	30	96	79.3	36.5	M16X50	



1JFL4

45° 弯美制 JIC 外螺纹 74° 外锥 / 轻系列法兰 ISO 6162-1
 45° ELBOW JIC MALE 74° CONE / L-SERIES FLANGE ISO 6162-1

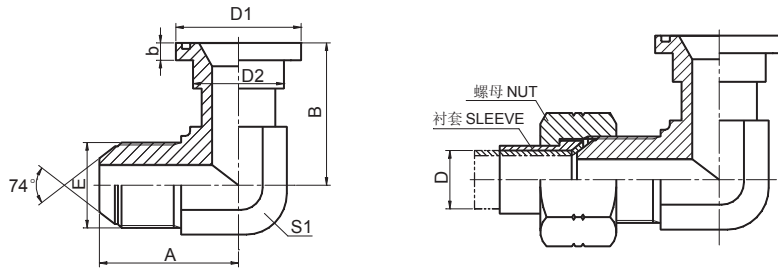
代号 PART NO.	螺纹 THREAD		法兰型号 FLANGE SIZE	O 形圈 O RING	尺寸 DIMENSIONS					
	E				A	B	b	D1	D2	S1
1JFL4-08	3/4"X16		1/2"	O210	27	37	6.73	30.2	24	19
1JFL4-10-08	7/8"X14		1/2"	O210	31	37	6.73	30.2	24	22
1JFL4-10-12	7/8"X14		3/4"	O214	32	40.1	6.73	38.1	31.7	27
1JFL4-12	1.1/16"X12		3/4"	O214	35.5	40.1	6.73	38.1	31.7	27
1JFL4-12-16	1.1/16"X12		1"	O219	37.5	47	8	44.4	38	33
1JFL4-16	1.5/16"X12		1"	O219	38.5	47	8	44.4	38	33
1JFL4-16-12	1.5/16"X12		3/4"	O214	38.5	42	6.73	38.1	31.7	33
1JFL4-16-20	1.5/16"X12		1.1/4"	O222	42	51.8	8	50.8	43	41
1JFL4-20	1.5/8"X12		1.1/4"	O222	43.5	51.8	8	50.8	43	41
1JFL4-20-16	1.5/8"X12		1"	O219	43	51	8	44.4	38	41
1JFL4-20-24	1.5/8"X12		1.1/2"	O225	46	60.5	8	60.3	50	48
1JFL-24-20	1.7/8"X12		1.1/4"	O222	49	54	8	50.8	43	48
1JFL4-24	1.7/8"X12		1.1/2"	O225	49	60.5	8	60.3	50	48
1JFL4-32	2.1/2"X12		2"	O228	58	76.2	9.53	71.4	62	63

注：螺母及衬套需另行订货。管子直径 D 为公制时，配用螺母及衬套分别选用 NB200、NB500。

管子直径为英制时，配用螺母及衬套分别选用 NB200、NB300。

Note: Nut and sleeve should be ordered separately. The nut NB200 and sleeve NB500 is suitable for metric tube, the nut NB200 and sleeve NB300 is suitable for inch tube.

过渡接头 ADAPTER



1JFL9

90° 弯美制 JIC 外螺纹 74° 外锥 / 轻系列法兰 ISO 6162-1
 90° ELBOW JIC MALE 74° CONE / L-SERIES FLANGE ISO 6162-1

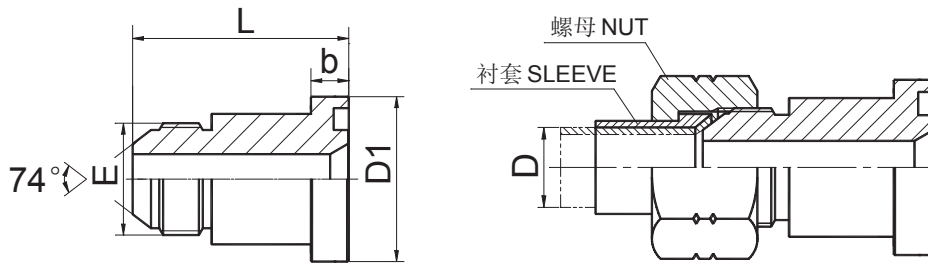
代号 PART NO.	螺纹 THREAD		法兰型号 SIZE	O 形圈 O RING	尺寸 DIMENSIONS					
	E				A	B	b	D1	D2	S1
1JFL9-08	3/4"X16		1/2"	O210	32.5	44	6.73	30.2	24	19
1JFL9-08-12	3/4"X16		3/4"	O214	38	54.1	6.73	38.1	31.7	27
1JFL9-10-08	7/8"X14		1/2"	O210	37.5	44	6.73	30.2	24	22
1JFL9-10-12	7/8"X14		3/4"	O214	41	54.1	6.73	38.1	31.7	27
1JFL9-12	1.1/16"X12		3/4"	O214	44.5	54.1	6.73	38.1	31.7	27
1JFL9-12-16	1.1/16"X12		1"	O219	48	60.2	8	44.4	38	33
1JFL9-16	1.5/16"X12		1"	O219	49	60.2	8	44.4	38	33
1JFL9-16-12	1.5/16"X12		3/4"	O214	49	58	6.73	38.1	31.7	33
1JFL9-16-20	1.5/16"X12		1.1/4"	O222	54	66.5	8	50.8	43	41
1JFL9-20	1.5/8"X12		1.1/4"	O222	55.5	66.5	8	50.8	43	41
1JFL9-20-16	1.5/8"X12		1"	O219	55.5	65	8	44.4	38	41
1JFL9-20-24	1.5/8"X12		1.1/2"	O225	60	79.3	8	60.3	50	48
1JFL9-24	1.7/8"X12		1.1/2"	O225	62.5	79.3	8	60.3	50	48
1JFL9-24-20	1.7/8"X12		1.1/4"	O222	62.5	75.5	8	50.8	43	48
1JFL9-24-32	1.7/8"X12		2"	O228	74.5	108	9.53	71.4	62	63
1JFL9-32	2.1/2"X12		2"	O228	80	108	9.53	71.4	62	63

注：螺母及衬套需另行订货。管子直径 D 为公制时，配用螺母及衬套分别选用 NB200、NB500。

管子直径为英制时，配用螺母及衬套分别选用 NB200、NB300。

Note: Nut and sleeve should be ordered separately. The nut NB200 and sleeve NB500 is suitable for metric tube, the nut NB200 and sleeve NB300 is suitable for inch tube.

过渡接头 ADAPTER



1JFS

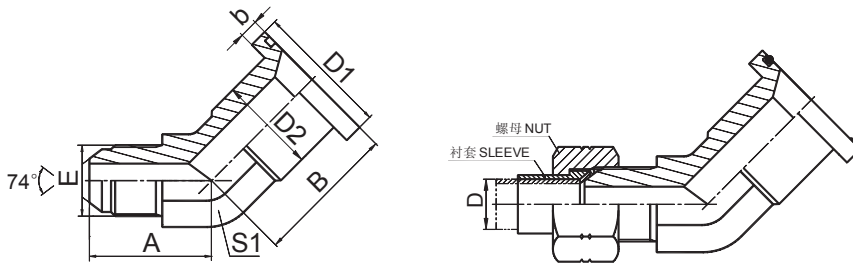
美制 JIC 外螺纹 74° 外锥 / 重系列法兰 ISO 6162-2
 JIC MALE 74° CONE / S-SERIES FLANGE ISO 6162-2

代号 PART NO.	螺纹 THREAD		法兰型号	O 形圈	尺寸 DIMENSIONS			
	E		FLANGE SIZE	O RING	b	D1	L	
1JFS-08	3/4"X16		1/2"	O210	7.75	31.7	47.5	
1JFS-10-08	7/8"X14		1/2"	O210	7.75	31.7	50	
1JFS-10-12	7/8"X14		3/4"	O214	8.76	41.3	55	
1JFS-12	1.1/16"X12		3/4"	O214	8.76	41.3	56.7	
1JFS-12-16	1.1/16"X12		1"	O219	9.53	47.6	61.5	
1JFS-16-12	1.5/16"X12		3/4"	O214	8.76	41.3	57.8	
1JFS-16	1.5/16"X12		1"	O219	9.53	47.6	62.8	
1JFS-16-20	1.5/16"X12		1.1/4"	O222	10.29	54	67.7	
1JFS-20-16	1.5/8"X12		1"	O219	9.53	47.6	64	
1JFS-20	1.5/8"X12		1.1/4"	O222	10.29	54	68.9	
1JFS-20-24	1.5/8"X12		1.1/2"	O225	12.57	63.5	73.5	
1JFS-24-20	1.7/8"X12		1.1/4"	O222	10.29	54	72	
1JFS-24	1.7/8"X12		1.1/2"	O225	12.57	63.5	76.7	

注：螺母及衬套需另行订货。管子直径 D 为公制时，配用螺母及衬套分别选用 NB200、NB500。
 管子直径为英制时，配用螺母及衬套分别选用 NB200、NB300。

Note: Nut and sleeve should be ordered separately. The nut NB200 and sleeve NB500 is suitable for metric tube, the nut NB200 and sleeve NB300 is suitable for inch tube.

过渡接头 ADAPTER



1JFS4

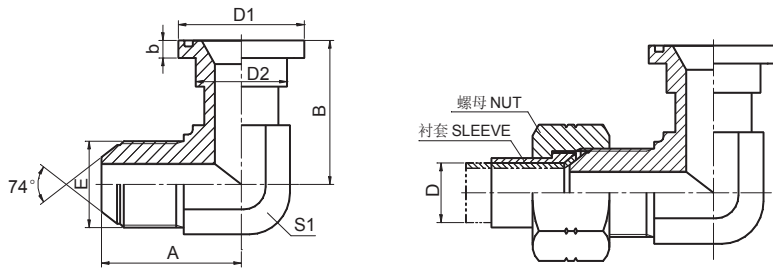
45° 弯美制 JIC 外螺纹 74° 外锥 / 重系列法兰 ISO 6162-2
 45° ELBOW JIC MALE 74° CONE / S-SERIES FLANGE ISO 6162-2

代号 PART NO.	螺纹 THREAD		法兰型号	O 形圈	尺寸 DIMENSIONS					
	E		FLANGE SIZE	O RING	A	B	b	D1	D2	S1
1JFS4-08	3/4"X16		1/2"	O210	27	38	7.75	31.7	24	19
1JFS4-10-08	7/8"X14		1/2"	O210	31	39	7.75	31.7	24	22
1JFS4-10-12	7/8"X14		3/4"	O214	32.5	40.1	8.76	41.3	31.7	27
1JFS4-12	1.1/16"X12		3/4"	O214	35.5	40.1	8.76	41.3	32	27
1JFS4-12-16	1.1/16"X12		1"	O219	37.5	47	9.53	47.6	38	33
1JFS4-16	1.5/16"X12		1"	O219	38.5	47	9.53	47.6	38	33
1JFS4-16-12	1.5/16"X12		3/4"	O214	38.5	45	8.76	41.3	31.7	33
1JFS4-16-20	1.5/16"X12		1.1/4"	O222	42	52	10.29	54	44	41
1JFS4-20	1.5/8"X12		1.1/4"	O222	43	52	10.29	54	44	41
1JFS4-20-16	1.5/8"X12		1"	O219	43	52	9.53	47.6	38	41
1JFS4-20-24	1.5/8"X12		1.1/2"	O225	46	60.5	12.57	63.5	51	48
1JFS4-24	1.7/8"X12		1.1/2"	O225	49	60.5	12.57	63.5	51	48

注：螺母及衬套需另行订货。管子直径 D 为公制时，配用螺母及衬套分别选用 NB200、NB500。
 管子直径为英制时，配用螺母及衬套分别选用 NB200、NB300。

Note: Nut and sleeve should be ordered separately. The nut NB200 and sleeve NB500 is suitable for metric tube, the nut NB200 and sleeve NB300 is suitable for inch tube.

过渡接头 ADAPTER



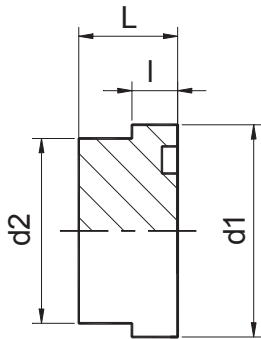
1JFS9

90° 弯美制 JIC 外螺纹 74° 外锥 / 重系列法兰 ISO 6162-2
 90° ELBOW JIC MALE 74° CONE / S-SERIES FLANGE ISO 6162-2

代号 PART NO.	螺纹 THREAD		法兰型号	O 形圈	尺寸 DIMENSIONS					
	E		FLANGE SIZE	O RING	A	B	b	D1	D2	S1
1JFS9-08	3/4"X16		1/2"	O210	32.5	44	7.75	31.7	24	19
1JFS9-10-08	7/8"X14		1/2"	O210	37.5	46	7.75	31.7	24	22
1JFS9-10-12	7/8"X14		3/4"	O214	41	54.1	8.76	41.3	32	27
1JFS9-12	1.1/16"X12		3/4"	O214	44.2	54.1	8.76	41.3	32	27
1JFS9-12-16	1.1/16"X12		1"	O219	48	60.2	9.6	47.6	38	33
1JFS9-16	1.5/16"X12		1"	O219	49	60.2	9.53	47.6	38	33
1JFS9-16-12	1.5/16"X12		3/4"	O214	49	57	8.76	41.3	32	33
1JFS9-16-20	1.5/16"X12		1.1/4"	O222	54	66.5	10.29	54	44	41
1JFS9-20	1.5/8"X12		1.1/4"	O222	55.5	66.5	10.29	54	44	41
1JFS9-20-16	1.5/8"X12		1"	O219	55.5	65	9.53	47.6	38	41
1JFS9-20-24	1.5/8"X12		1.1/2"	O225	59.5	79.3	12.57	63.5	51	48
1JFS9-24	1.7/8"X12		1.1/2"	O225	62.5	79.3	12.57	63.5	51	48
1JFS9-24-20	1.7/8"X12		1.1/4"	O222	62.5	70	10.29	54	44	48

注：螺母及衬套需另行订货。管子直径 D 为公制时，配用螺母及衬套分别选用 NB200、NB500。
 管子直径为英制时，配用螺母及衬套分别选用 NB200、NB300。

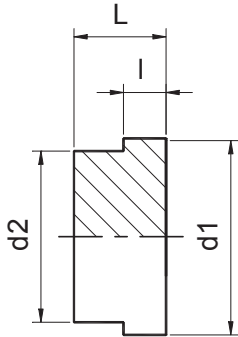
Note: Nut and sleeve should be ordered separately. The nut NB200 and sleeve NB500 is suitable for metric tube, the nut NB200 and sleeve NB300 is suitable for inch tube.



**4FL
4FS**

SAE 法兰堵头
SAE FLANGE PLUG

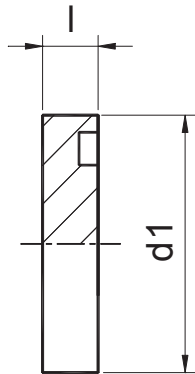
代号 PART NO.	法兰型号 FLANGE SIZE	尺寸 DIMENSIONS				压力等级 MPa
		d1	d2	L	l	
3000PSI						
4FL-08	1/2"	30.2	24	16	6.8	34.5
4FL-12	3/4"	38.1	31.5	17	6.8	
4FL-16	1"	44.4	38	17	8	
4FL-20	1.1/4"	50.8	43	17	8	27.6
4FL-24	1.1/2"	60.3	50	19	8	20.7
4FL-32	2"	71.4	62	19	9.6	
4FL-40	2.1/2"	84.1	74	40	9.6	17.2
4FL-48	3"	101.6	90	45	9.6	13.8
4FL-56	3.1/2"	114.3	102	30	11.3	3.4
4FL-64	4"	127	114	36	11.3	
4FL-80	5"	152.4	140	45	11.3	
6000PSI						
4FS-08	1/2"	31.8	24	18	7.8	42
4FS-12	3/4"	41.3	32	18	8.8	
4FS-16	1"	47.6	38	18	9.5	
4FS-20	1.1/4"	54	44	18	10.3	
4FS-24	1.1/2"	63.5	51	20	12.6	
4FS-32	2"	79.4	67	30	12.6	



4FL-M
4FS-M

SAE 法兰
SAE FLANGE

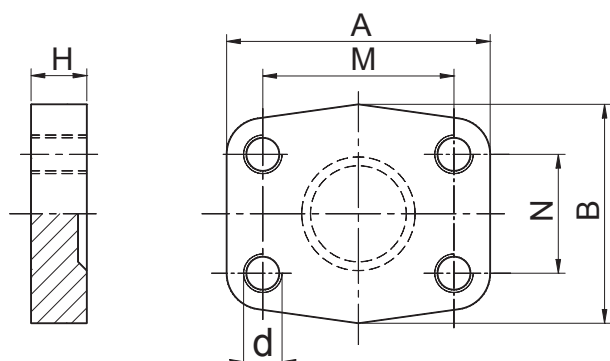
代号 PART NO.	法兰型号 FLANGE SIZE	尺寸 DIMENSIONS				压力等级 MPa
		d1	d2	L	l	
3000PSI						
4FL-08M	1/2"	30.2	24	16	6.8	34.5
4FL-12M	3/4"	38.1	31.5	17	6.8	
4FL-16M	1"	44.4	38	17	8	
4FL-20M	1.1/4"	50.8	43	17	8	27.6
4FL-24M	1.1/2"	60.3	50	19	8	20.7
4FL-32M	2"	71.4	62	19	9.6	
4FL-40M	2.1/2"	84.1	74	40	9.6	17.2
4FL-48M	3"	101.6	90	45	9.6	13.8
4FL-56M	3.1/2"	114.3	102	30	11.3	3.4
4FL-64M	4"	127	114	36	11.3	
4FL-80M	5"	152.4	140	45	11.3	
6000PSI						
4FS-08M	1/2"	31.8	24	18	7.8	42
4FS-12M	3/4"	41.3	32	15	8.8	
4FS-16M	1"	47.6	38	16	9.5	
4FS-20M	1.1/4"	54	44	16	10.3	
4FS-24M	1.1/2"	63.5	51	19	12.6	
4FS-32M	2"	79.4	67	30	12.6	



4FL-P 4FS-P

SAE 法兰堵头
SAE FLANGE

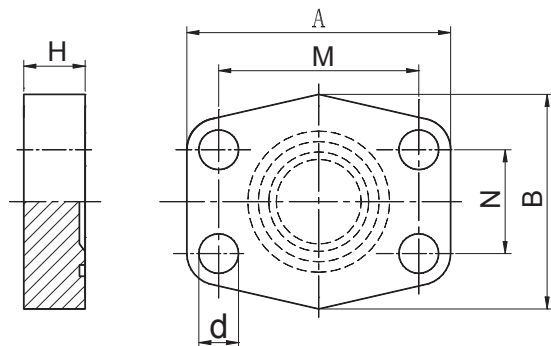
代号 PART NO.	法兰型号 FLANGE SIZE	尺寸 DIMENSIONS		压力等级 MPa
		d1	l	
3000PSI				
4FL-08P	1/2"	30.2	6.8	21
4FL-12P	3/4"	38.1	6.8	
4FL-16P	1"	44.4	8	
4FL-20P	1.1/4"	50.8	8	
4FL-24P	1.1/2"	60.3	8	16
4FL-32P	2"	71.4	9.6	
6000PSI				
4FS-08P	1/2"	31.8	7.8	25
4FS-12P	3/4"	41.3	8.8	
4FS-16P	1"	47.6	9.5	
4FS-20P	1.1/4"	54	10.3	
4FS-24P	1.1/2"	63.5	12.6	
4FS-32P	2"	79.4	12.6	



4FL-WPMM 4FS-WPMM

SAE 法兰堵头带螺纹孔
SAE CLOSED FLANGE COMPANION

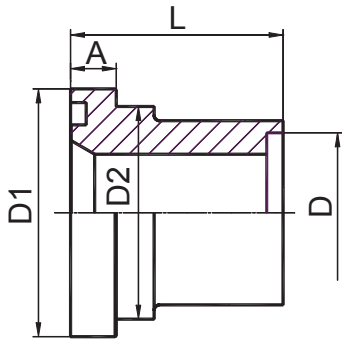
代号 PART NO.	法兰型号 FLANGE SIZE	尺寸 DIMENSIONS						压力等级 Mpa
		A	B	d	H	M	N	
3000PSI								
4FL-08WPMM	1/2"	56	46	M8	16	38.1	17.5	34.5
4FL-12WPMM	3/4"	65	50	M10	16	47.6	22.2	
4FL-16WPMM	1"	70	55	M10	18	52.4	26.2	
4FL-20WPMM	1.1/4"	79	68	M10	18	58.7	30.2	27.6
4FL-24WPMM	1.1/2"	93	78	M12	20	69.9	35.7	20.7
4FL-32WPMM	2"	102	90	M12	20	77.8	42.9	
4FL-40WPMM	2.1/2"	114	105	M12	20	88.9	50.8	17.2
4FL-48WPMM	3"	134	125	M16	22	106.4	61.9	13.8
4FL-56WPMM	3.1/2"	152	136	M16	22	120.7	69.9	3.4
4FL-64WPMM	4"	162	146	M16	25	130.2	77.8	
4FL-80WPMM	5"	190	170	M16	28	152.4	92.1	
6000PSI								
4FS-08WPMM	1/2"	54	46	M8	16	40.5	18.2	41.4
4FS-12WPMM	3/4"	71	55	M10	19	50.8	23.8	
4FS-16WPMM	1"	81	65	M12	24	57.2	27.8	
4FS-20WPMM	1.1/4"	95	78	M14	27	66.6	31.8	
4FS-24WPMM	1.1/2"	112	94	M16	30	79.3	36.5	
4FS-32WPMM	2"	134	114	M20	37	96.8	44.5	



4FL-WP
4FS-WP

SAE 法兰堵头
SAE CLOSED FLANGE

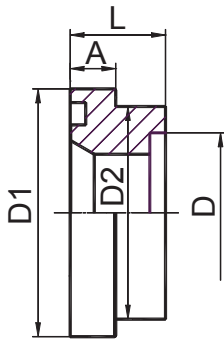
代号 PART NO.	法兰型号 FLANGE SIZE	尺寸 DIMENSIONS						配用 螺栓	压力等级 Mpa
		A	B	d	H	M	N		
3000PSI									
4FL-08WP	1/2"	54	46	9	16	38.1	17.5	M8X30	34.5
4FL-12WP	3/4"	65	50	11	16	47.6	22.2	M10X35	
4FL-16WP	1"	70	55	11	18	52.4	26.2	M10X35	
4FL-20WP	1.1/4"	79	68	11	18	58.7	30.2	M10X40	27.6
4FL-24WP	1.1/2"	93	78	13.5	20	69.9	35.7	M12X45	20.7
4FL-32WP	2"	102	90	13.5	20	77.8	42.9	M12X45	
4FL-40WP	2.1/2"	114	105	13.5	20	88.9	50.8	M12X45	17.2
4FL-48WP	3"	134	125	17.5	22	106.4	61.9	M16X50	13.8
4FL-56WP	3.1/2"	152	136	17.5	22	120.7	69.9	M16X50	3.4
4FL-64WP	4"	162	146	17.5	25	130.2	77.8	M16X50	
4FL-80WP	5"	190	170	17.5	28	152.4	92.1	M16X50	
6000PSI									
4FS-08WP	1/2"	54	46	9	16	40.5	18.2	M8X30	41.4
4FS-12WP	3/4"	71	55	11	19	50.8	23.8	M10X35	
4FS-16WP	1"	81	65	13	24	57.2	27.8	M12X45	
4FS-20WP	1.1/4"	95	78	15	27	66.6	31.8	M14X45	
4FS-24WP	1.1/2"	112	94	17	30	79.3	36.5	M16X50	
4FS-32WP	2"	134	114	22	37	96.8	44.5	M20X65	



5FLW-IN

SAE 法兰 3000PSI/ 英寸制焊接管
SAE FLANGE 3000PSI/INCH SOCKET-WELD TUBE

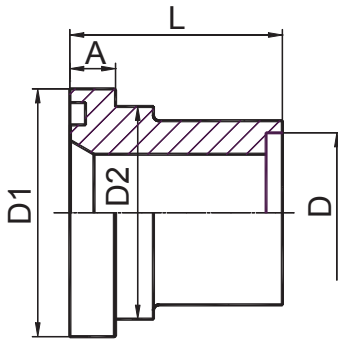
代 号 PART NO.	法兰型号	O 形圈	焊接管外径 D	尺 寸 DIMENSIONS				
	FLANGE SIZE	O-RING	WELD TUBE O.D D	A	D1	D2	L	
5FLW-08IN	1/2"	O210	1/2"	7	30.2	23.9	26	
5FLW-12-08IN	3/4"	O214	1/2"	7	38.1	31.7	28	
5FLW-12IN	3/4"	O214	3/4"	6.73	38.1	32	30	
5FLW-16-12IN	1"	O219	3/4"	8	44.4	38	30	
5FLW-16IN	1"	O219	1"	8	44.4	38	32	
5FLW-20-16IN	1.1/4"	O222	1"	8	50.8	43	32	
5FLW-20IN	1.1/4"	O222	1.1/4"	8.2	50.8	43.2	35	
5FLW-24-16IN	1.1/2"	O225	1"	8.2	60.3	50.3	37	
5FLW-24-20IN	1.1/2"	O225	1.1/4"	8.2	60.3	50.3	37	
5FLW-24IN	1.1/2"	O225	1.1/2"	8.2	60.3	50.3	40	
5FLW-32-20IN	2"	O228	1.1/4"	9.8	71.4	62.2	37	
5FLW-32-24IN	2"	O228	1.1/2"	9.8	71.4	62.2	40	
5FLW-32IN	2"	O228	2"	9.8	71.4	62.2	40	



5FLW-S/IN

SAE 法兰 3000PSI/ 英寸制焊接管
SAE FLANGE 3000PSI/INCH SOCKET-WELD TUBE

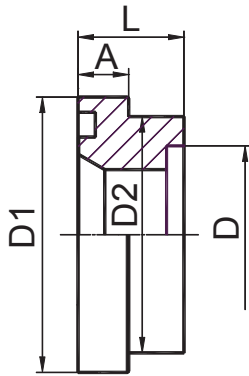
代号 PART NO.	法兰型号	O 形圈	焊接管外径 D	尺寸 DIMENSIONS				
	FLANGE SIZE	O-RING	WELD TUBE O.D D	A	D1	D2	L	
5FLW-08S/IN	1/2"	O210	1/2"	7	30.2	23.9	13	
5FLW-12-08S/IN	3/4"	O214	1/2"	7	38.1	31.7	15	
5FLW-12S/IN	3/4"	O214	3/4"	7	38.1	31.7	15	
5FLW-16-12S/IN	1"	O219	3/4"	8.2	44.4	38	15	
5FLW-16S/IN	1"	O219	1"	8.2	44.4	38	15	
5FLW-20-16S/IN	1.1/4"	O222	1"	8.2	50.8	43.2	15	
5FLW-20S/IN	1.1/4"	O222	1.1/4"	8.2	50.8	43.2	15	
5FLW-24-16S/IN	1.1/2"	O225	1"	8.2	60.3	50.3	20	
5FLW-24-20S/IN	1.1/2"	O225	1.1/4"	8.2	60.3	50.3	20	
5FLW-24S/IN	1.1/2"	O225	1.1/2"	8.2	60.3	50.3	20	
5FLW-32-20S/IN	2"	O228	1.1/4"	9.8	71.4	62.2	20	
5FLW-32-24S/IN	2"	O228	1.1/2"	9.8	71.4	62.2	20	
5FLW-32S/IN	2"	O228	2"	9.8	71.4	62.2	20	



5FSW-IN

SAE 法兰 6000PSI/ 英寸制焊接管
 SAE FLANGE 6000PSI/INCH SOCKET-WELD TUBE

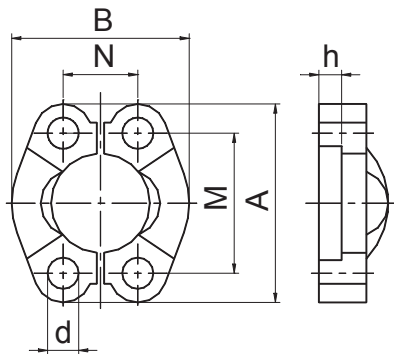
代号 PART NO.	法兰型号	O形圈	焊接管外径 D	尺寸 DIMENSIONS				
	FLANGE SIZE	O-RING	WELD TUBE O.D D	A	D1	D2	L	
5FSW-12IN	3/4"	O214	3/4"	8.9	41.3	31.7	33	
5FSW-16IN	1"	O219	1"	9.6	47.6	38	37	
5FSW-20IN	1.1/4"	O222	1.1/4"	10.4	54	43.6	42	
5FSW-24IN	1.1/2"	O225	1.1/2"	12.7	63.5	50.8	45	
5FSW-32IN	2"	O228	2"	12.7	79.4	66.5	45	



5FSW-S/IN

SAE 法兰 6000PSI/ 英寸制焊接管
SAE FLANGE 6000PSI/INCH SOCKET-WELD TUBE

代号 PART NO.	法兰型号 FLANGE SIZE	O 形圈 O-RING	焊接管外径 D WELD TUBE O.D D	尺寸 DIMENSIONS			
				A	D1	D2	L
5FSW-12S/IN	3/4"	O214	3/4"	8.9	41.3	31.7	18
5FSW-16S/IN	1"	O219	1"	9.6	47.6	38	20
5FSW-20S/IN	1.1/4"	O222	1.1/4"	10.4	54	43.6	22
5FSW-24S/IN	1.1/2"	O225	1.1/2"	12.7	63.5	50.8	25
5FSW-32S/IN	2"	O228	2"	12.7	79.4	66.5	25

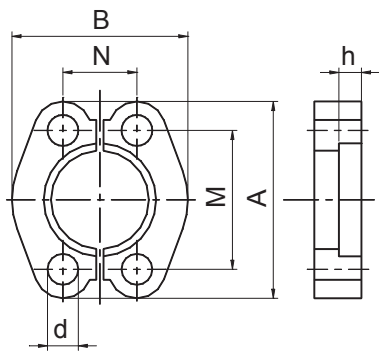


**FL
FS**

SAE 对开法兰夹
SAE SPLIT FLANGE CLAMP

代号 PART NO.	法兰型号 FLANGE SIZE	尺寸 DIMENSIONS							配用 螺栓	压力等级 MPa
		A	B	d	h	M	N			
3000PSI										
FL-08	1/2"		54	45.6	9	6.2	38.1	17.5	M8X25	34.5
FL-12	3/4"		65	51.8	11	6.2	47.6	22.2	M10X30	
FL-16	1"		70	58.4	11	7.5	52.4	26.2	M10X30	
FL-20	1.1/4"		79	72.6	11	7.5	58.7	30.2	M10X30	27.6
FL-24	1.1/2"		94	82.2	13.5	7.5	69.9	35.7	M12X35	20.7
FL-32	2"		102	96.4	13.5	9	77.8	42.9	M12X35	
FL-40	2.1/2"		114	108.2	13.5	9	88.9	50.8	M12X40	17.2
FL-48	3"		135	130.6	17.5	9	106.4	61.9	M16X50	13.8
6000PSI										
FS-08	1/2"		56	47.2	9	7.2	40.5	18.2	M8X30	42
FS-12	3/4"		71	60	11	8.2	50.8	23.8	M10X35	
FS-16	1"		81	69.6	13.5	9	57.2	27.8	M12X45	
FS-20	1.1/4"		95	77.2	13.5	9.8	66.6	31.8	M12X45	
FS-24	1.1/2"		113	95	17.5	12	79.3	36.5	M16X55	
FS-32	2"		133	113.8	22	12	96.8	44.5	M20X70	

材料为 35、45 锻件

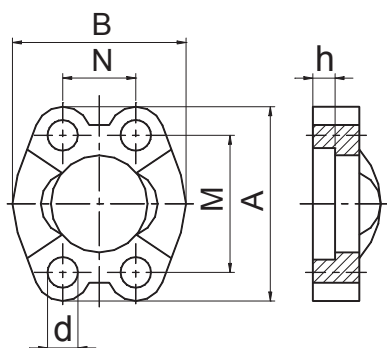


FL-P
FS-P

SAE 对开法兰夹
SAE SPLIT FLANGE CLAMP

代号 PART NO.	法兰型号 FLANGE SIZE	尺寸 DIMENSIONS						配用 螺栓	压力等级 MPa
		A	B	d	h	M	N		
3000PSI									
FL-08P	1/2"	54	45.6	9	6.2	38.1	17.5	M8X25	34.5
FL-12P	3/4"	65	51.8	11	6.2	47.6	22.2	M10X30	
FL-16P	1"	70	58.4	11	7.5	52.4	26.2	M10X30	
FL-20P	1.1/4"	79	72.6	11	7.5	58.7	30.2	M10X30	27.6
FL-24P	1.1/2"	94	82.2	13.5	7.5	69.9	35.7	M12X35	20.7
FL-32P	2"	102	96.4	13.5	9	77.8	42.9	M12X35	
6000PSI									
FS-08P	1/2"	56	47.2	9	7.2	40.5	18.2	M8X30	42
FS-12P	3/4"	71	60	11	8.2	50.8	23.8	M10X35	
FS-16P	1"	81	69.6	13.5	9	57.2	27.8	M12X45	
FS-20P	1.1/4"	95	77.2	13.5	9.8	66.6	31.8	M12X45	
FS-24P	1.1/2"	113	95	17.5	12	79.3	36.5	M16X55	
FS-32P	2"	133	113.8	22	12	96.8	44.5	M20X70	

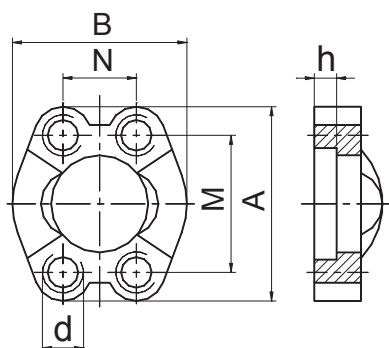
材料为 60



FL-W
FS-W

SAE 法兰夹
SAE FLANGE CLAMP

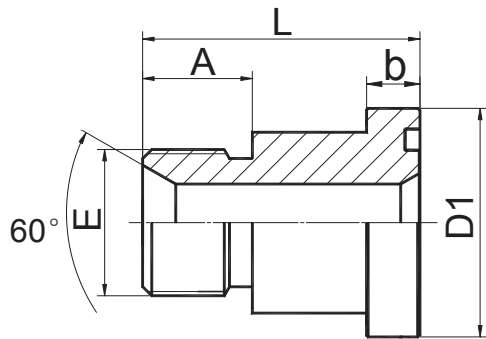
代号 PART NO.	法兰型号 FLANGE SIZE	尺寸 DIMENSIONS							配用 螺栓	压力等级 MPa
		A	B	d	h	M	N			
3000PSI										
FL-08W	1/2"	54	45.6	9	6.2	38.1	17.5	M8X25	34.5	
FL-12W	3/4"	65	51.8	11	6.2	47.6	22.2	M10X30		
FL-16W	1"	70	58.4	11	7.5	52.4	26.2	M10X30		
FL-20W	1.1/4"	79	72.6	11	7.5	58.7	30.2	M10X30	27.6	
FL-24W	1.1/2"	94	82.2	13.5	7.5	69.9	35.7	M12X35	20.7	
FL-32W	2"	102	96.4	13.5	9	77.8	42.9	M12X35		
FL-40W	2.1/2"	114	108.2	13.5	9	88.9	50.8	M12X40		
FL-48W	3"	135	130.6	16.75	9	106.4	61.9	M16X50	13.8	
6000PSI										
FS-08W	1/2"	56	47.2	9	7.2	40.5	18.2	M8X30	42	
FS-12W	3/4"	71	60	11	8.2	50.8	23.8	M10X35		
FS-16W	1"	81	69.9	13.5	9	57.2	27.8	M12X45		
FS-20W	1.1/4"	95	77.2	13.5	9.8	66.6	31.8	M12X45		
FS-24W	1.1/2"	113	95	17.5	12	79.3	36.5	M16X55		
FS-32W	2"	133	113.8	22	12	96.8	44.5	M20X70		



FL-WM FS-WM

SAE 螺纹孔法兰夹
SAE FLANGE CLAMP WITH METRIC THREAD

代号 PART NO.	法兰型号 FLANGE SIZE	尺寸 DIMENSIONS						压力等级 MPa
		A	B	d	h	M	N	
3000PSI								
FL-08WM	12"	54	45.6	M8	6.2	38.1	17.5	34.5
FL-12WM	3/4"	65	51.8	M10	6.2	47.6	22.2	
FL-16WM	1"	70	58.4	M10	7.5	52.4	26.2	
FL-20WM	1.14"	79	72.6	M10	7.5	58.7	30.2	27.6
FL-24WM	1.12"	94	82.2	M12	7.5	69.9	35.7	20.7
FL-32WM	2"	102	96.4	M12	9	77.8	42.9	
FL-40WM	2.12"	114	108.2	M12	9	88.9	50.8	17.2
FL-48WM	3"	135	130.6	M16	9	106.4	61.9	13.8
6000PSI								
FS-08WM	1/2"	56	47.2	M8	7.2	40.5	18.2	42
FS-12WM	3/4"	71	60	M10	8.2	50.8	23.8	
FS-16WM	1"	81	69.9	M12	9	57.2	27.8	
FS-20WM	1.14"	95	77.2	M14	9.8	66.6	31.8	
FS-24WM	1.12"	113	95	M16	12	79.3	36.5	
FS-32WM	2"	133	113.8	M20	12	96.8	44.5	



1BFL

英管外螺纹 60° 内锥 /SAE 法兰 3000PSI
 BSP MALE 60° CONE SEAT/
 SAE FLANGE 3000PSI

代号 PART NO.	螺 纹 THREAD		法兰型号	O 形 圈	尺 寸 DIMENSIONS				
	E		FLANGE SIZE	O RING	b	D1		L	
1BFL-08	G1/2"X14		1/2"	O210	6.73	30.2		43	
1BFL-12	G3/4"X14		3/4"	O214	6.73	38.1		47.5	
1BFL-16	G1"X11		1"	O219	8	44.4		51	
1BFL-20	G1.1/4"X11		1.1/4"	O222	8	50.8		51	
1BFL-24	G1.1/2"X11		1.1/2"	O225	8	60.3		55	